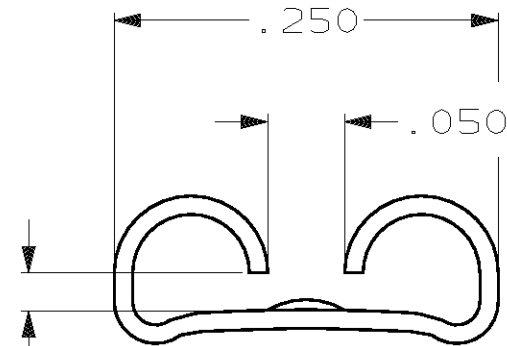
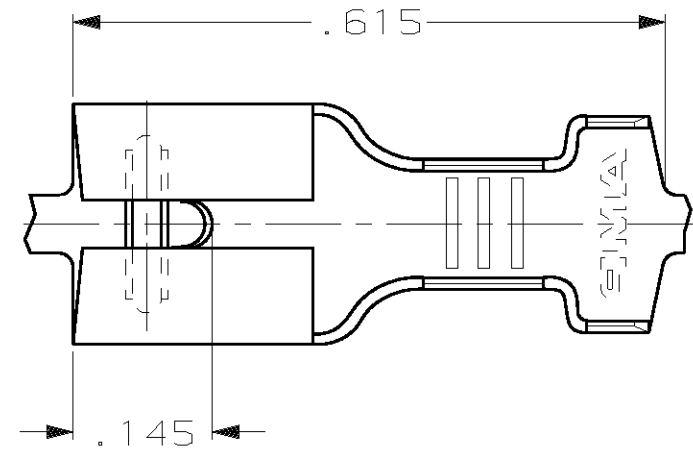


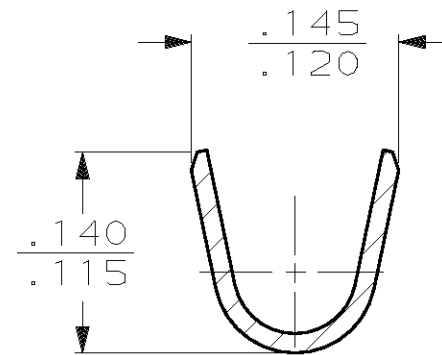
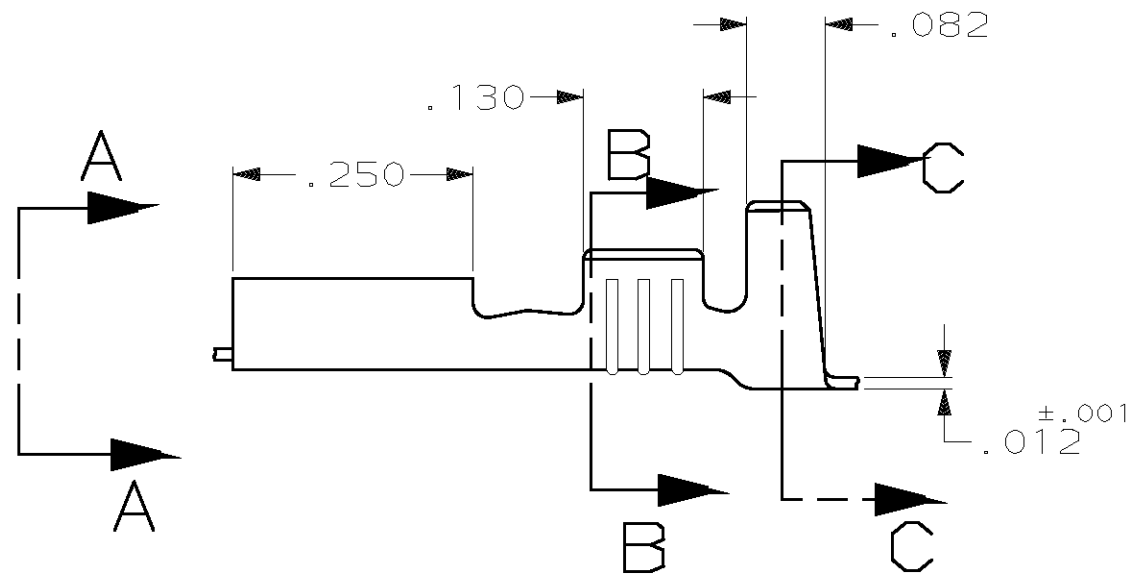
THIS DRAWING IS UNPUBLISHED. RELEASED FOR PUBLICATION, 19
 © COPYRIGHT 19 BY AMP INCORPORATED. ALL INTERNATIONAL RIGHTS RESERVED.

LOC	DIST	P	F	REVISIONS				
				ZONE	LTR	DESCRIPTION	DATE	APPD
AF	50				M	OBS -1 PER 0L10-0216-96	5/28/97	JR/PD

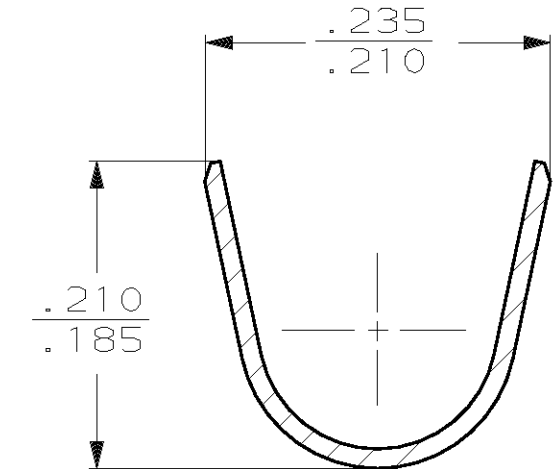


FITS .205 SERIES FASTON TAB
 VIEW A-A
 SCALE 8:1

1 CONTINUOUS STRIP ON REELS



SECTION B-B
 SCALE 8:1



SECTION C-C
 SCALE 8:1

OBSOLETE	.130-.180	18-14	TIN	.020	42713-2
	.130-.180	18-14	-		42713-1
	INSUL RANGE	WIRE SIZE	FINISH	MATING TAB THK ±.001	PART NO
	DO NOT SCALE PRINT. UNLESS SPECIFIED DIMENSIONS IN INCHES TOLERANCES ON: 2 PLC DEC ± - 3 PLC DEC ± .015 ANGLES ± -				
	MATERIAL				
	#4H BRASS				
	FINISH				
	SEE TABLE				
		DR 6/22/89 JR RUTH		AMP INCORPORATED Harrisburg, Pa. 17105	
		CHK 6/22/89 P FORTNEY			
		APPD 6/22/89 C MEYERS		NAME RECEPTACLE, FASTON, .205 SERIES	
		APPD 6/22/89 R KUZO			
		PRODUCT SPEC		SIZE	CAGE CODE
				B	00779
		APPLICATION SPEC		DRAWING NO	42713
				SCALE	5:1
		WEIGHT		SHEET	1 OF 1